

3rd Generation

SWC/LULU-17/NI/12/(F)

NIHOMA®

**Bio-Soft Energy
Water System**

Magnetic · Infrared · Nano

"Improving Your Quality Of Life"



Product Awards & Certifications



ISQ 2012
QUALITY PRODUCT AWARD



21st Century
The Prestigious Brand



1 009-06/2011



ASEAN RETAIL-CHAINS &
FRANCHISE FEDERATION



ASIA TOP
EXCELLENCE HEALTH
PRODUCTS AWARD



亚洲诚信产品大奖



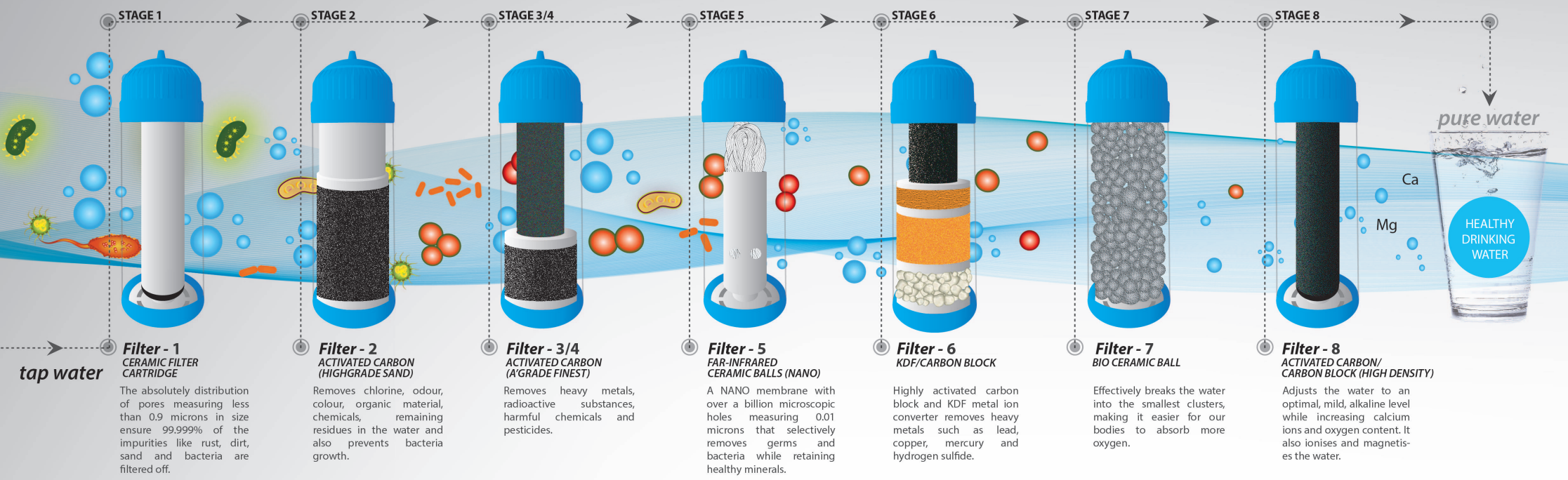
亚洲区百强诚信品牌大奖



Careline: 1300-88-3939

E-mail: hello@nihoma.com.my

Web: www.nihoma.com.my



3rd Generation NIHOMA Bio-Soft Energy Water System

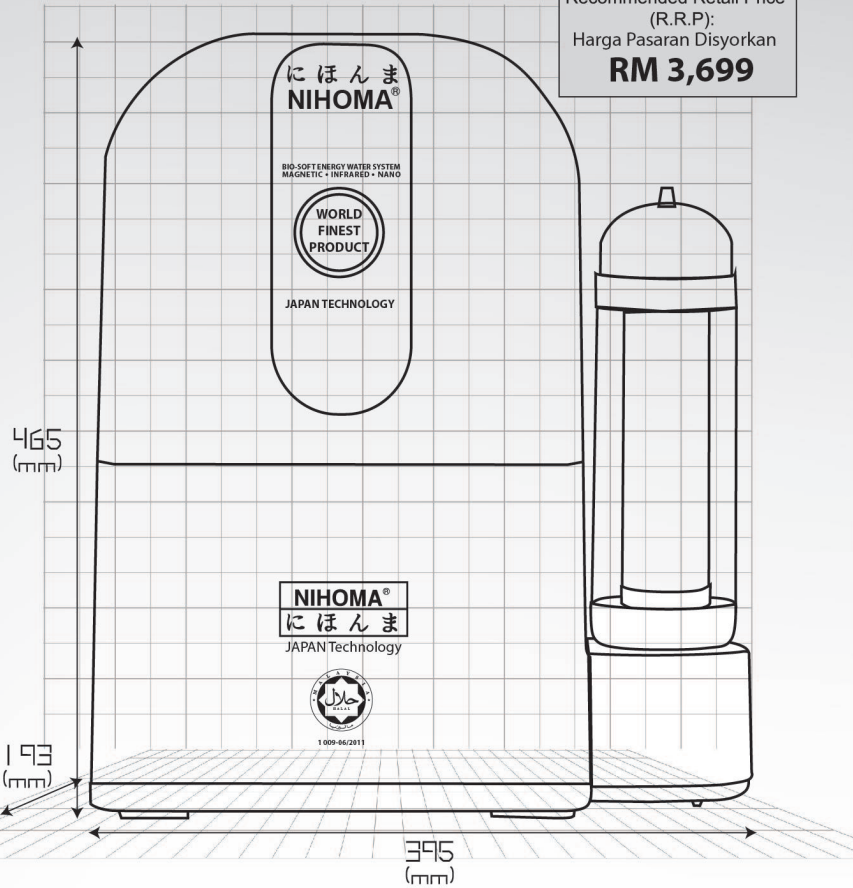
Eliminates **99.999%** contaminants by **8 stage** advanced filtration technology

- Asia Top Excellence Health Product
- 7 cartridges, 8 stage filtration
- Fitted on table top, under sink/wall
- Instant clean filtered water
- Flexible payment plans
- Save time and space
- No more carrying heavy bottled water & reduce plastic pollution



Specifications

Product Name <i>Nama Produk</i>	Essential Bio Energy Water system
Brand Name <i>Jenama</i>	NIHOMA®
Model No. <i>Model Num.</i>	N0520-R
Size (W x D x H) <i>Saiz (L x D x T)</i>	395mm (W) x 193mm (D) x 465mm (H)
Weight <i>Berat</i>	10 kg
Filter System <i>Sistem Penapis</i>	Nano Filtration (NF)
Power Consumption <i>Penggunaan Kuasa</i>	No electric power required <i>Tanpa penggunaan elektrik</i>



Recommended Retail Price
(R.R.P):
Harga Pasaran Disyorkan
RM 3,699



NIHOMA®
"Improving Your Quality Of Life"

Distributed and Marketed by / Diagihkan dan dipasarkan oleh:
Eco-World Wellness (M) Sdn. Bhd. (129 0986-V) (AJL: 932277)
Malaysia HQ:
Wisma NIHOMA, No. 46, 1st Floor, Lorong Kelasah 3, Taman Kelasah, 13700 Seberang Jaya, Perai, Prai, Pulau Pinang, Malaysia.

/nihomamalaysiaofficial
www.nihoma.com.my

CUSTOMER CARELINE /
TALIAN KHIDMAT PELANGGAN :
1300 - 88 - 3939